



UNIPAVE™

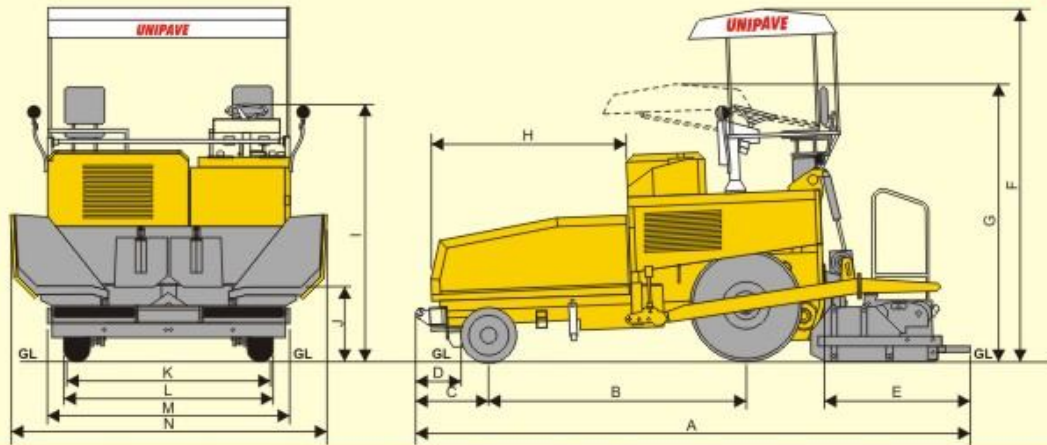
H A P 0 4 5



- Our Paver Machine are Tested and Approved by ARAI



Paver Machine with double operator seat and sliding operating panel



A	B	C	D	E	F	G	H	I	J	K	L	M	N
5585	2600	735	460	1470	3550	2800	1970	2595	755	2055	2110	2440	3190

TECHNICAL SPECIFICATION

Transmission	Mechanical	Speed	Traveling : 16 km ph (max) Working : 1.27 to 24 Mts/min. (4.17 to 78.72 FPM)
Front wheel	Solid Rubber Tyre 2 Nos. 550 mm Dia x 175 mm width	CAPACITY OF TANK	
Rear wheel	2 Nos. Pneumatic Tyre Size: - 11.00 x 20	Fuel	80 L
Max. Opt. Wt.	9350 Kgs Approx.	Hydraulic Oil	40 L
Hopper capacity	4.25 CM	STANDARD ACCESSORIES	
Auger Screw	Dia 250 mm. (10") Ni-Hard/High Chromium Steel material	• Canvas Canopy • Working Lights • Traveling Lights • Tool Kit with jack • Horn	

PRIME MOVER Kirloskar make water-cooled electric start Diesel Engine Model 4R-1040 (60 hp @ 1800 rpm) or equivalent.
OPERATOR PANEL Sliding type operator panel with traveling functions on left and right side and operating functions on left side with double operator seat.

TRANSMISSION Mechanical transmission. Eight speed reduction gearbox with differential and differential lock arrangement. All the gears are in oil bath.

SCREED The main screed is pivoted at the center point of the machine to assure a constant flatness of work on uneven grounds. It consists of Hydraulically extendable screed from basic screed width of 2.5 meter and hydraulically extendable up to 4.5 meter with vibration and screed heating facility.

BRAKES The brakes can be operated by pushing pedals provided near both the operator's seat. The safety brakes are acting on the speed shaft, which are coupled to the drive wheels.

THRUST ROLLER Two thrust rollers are fixed on heavy oscillating beam provided on front part of the machine.

OPERATOR'S SEAT Operator's seat is fitted on the both side of the machine. The seat is adjustable. All panels and levers are within the easy reach of the operator.

HOPPER AND FEEDING SYSTEMS The movement of the two hoppers is obtained by means of hydraulic cylinder. Two conveyor chains one on each side is independently controlled and made of hardened steel. Material conveyed on both side is sprayed by two auger, both independently controlled by levers provided near the operator's seat.

ELECTRICAL SYSTEM 12 V battery is provided for lighting system for working and traveling of machine.

SALIENT FEATURES

Single level control for speed gearing is provided which prevent dual engagement and breaking of gears. All operating levers including panel switch board are handy and within easy reach. * All gears and shafts of gear box are made from alloy steel and are hardened and ground for efficient working. Screed is vibrated with hydraulic motor for compacting the laid layer. Gas burners are provided for heating the main screed. All jacks are having one kind of seal kit (Piston seal and rod seal of PU material)

(note: specification/description are indicative and subject to change without notice due to modification alteration or custom engineering)

OUR RANGE OF PRODUCTS

UNIPAVE Paver with Hydrostatic drive upto 9.0 mtrs. ■ UNIPAVE Mechanical Paver Finisher ■ UNIPAVE Wetmix Paver Finisher ■ UNIPAVE Drum Mix Asphalt Plant

UNIPAVE™
Engineering Products



254/1, Surelia Estate, Vastral Road, Amraiwadi, Ahmedabad-380 026. INDIA.

Phone : 079 - 22870983/84 Fax : 079 - 22892784 E-mail : sales@unipavers.com Website : www.unipavers.com